

C6000 SERIES



DEUTZ-FAHR
C6205 - C6205 TS





**YOUR HARVEST.
YOUR TECHNOLOGY.
YOUR SUCCESS.**



NEW EVOLUTIONARY HORIZONS EVOLVING INTELLIGENTLY.

The DEUTZ-FAHR range reaches an evolutionary turning point in its history of serving farmers. The C6205 arrives to complete the range of combine harvesters with a new design, innovative technical solutions for operator comfort and with advanced systems to abate emissions. A gem in the category of the 5 straw walkers which embodies the technology and winning philosophy of the DEUTZ-FAHR systems that

users already enjoy with the other models in the line. Experience on the field and contact with loyal DEUTZ-FAHR customers has created the foundation on which to develop the C6205 dedicated to medium-sized farms that want to become independent by amplifying their machine yard with a reliable combine harvester that is compact, yet that ups productivity, optimally facing any type of harvest.



**WELL BEGUN
IS HALF DONE.**



THE DEUTZ-FAHR CUTTING BAR.

The cutting bar is the combine harvester body that starts the entire harvesting process; that's why DEUTZ-FAHR has worked on a complete and reliable range adapted to its customers' needs. The DEUTZ-FAHR cutting headers are synonymous of precise cut, reliability and robustness and versatility.

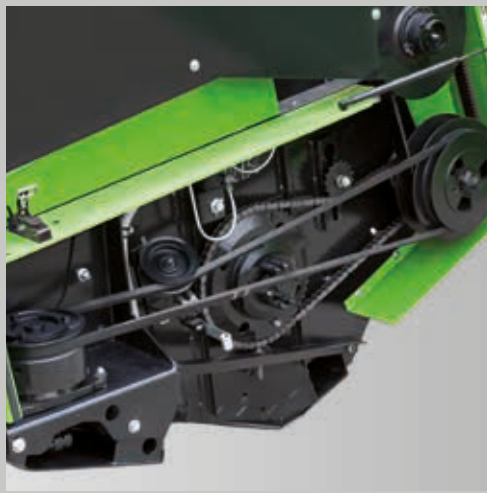
The program includes standard cereal versions with special kits to adapt them to sunflower and rape, and models with variable pan (VARICROP), the right solution for the user who will work on different crops. The range of Varicrop headers includes three sizes, 5, 5.5 and 6.5 m, which can be adjusted extending the lower surface up to 70 cm in depth hydraulically activated from the cab as well as the position and height of the pick-up reel, equipped with robust metal teeth for the toughest applications.



The VARICROP cutter bar for maximum versatility and performance.



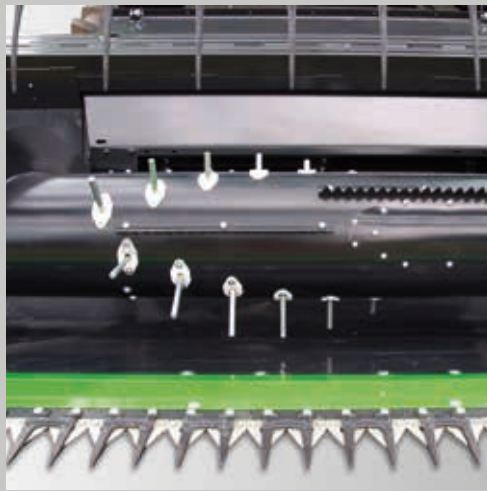
THE OPTIMAL
COMBINATION.



Planetary transmission for high cutting frequency.



Patented Schumacher easy cut II knives.



The feeder auger with full length retractable fingers ensure continuous feed and crop flow.



Reliable and robust sensors skids for the Autocontrol system.

The standard cutting headers are available in sizes: 4.20, 4.80, 5.40 and 6.30; all are built with planetary transmission that guarantees high cutting frequency (about 1220 rotations per minute). The blade is equipped with a patented tandem Schumacher Easy cut II system of outstanding efficient and effective outcome, built with robust teeth mounted on a runner that oscillates with 85 mm lateral stroke. The blade-holder teeth screwed on the top and bottom keep the knives clean and protected.

Rolling blade guides and optional roller guides help with keeping the system efficient and further decrease the vibrations, allowing you to work harder with the cutting table. The input cochlea, with a diameter of 610 mm, and the input fingers set on a spiral along the entire breadth lets you transport a large quantity of product to the feeder housing.

The pick-up reel increases the DEUTZ-FAHR cereals bar's "productivity" even more; entirely controllable from the cabin, you can adjust the height and position for a perfect set up. The speed of rotation is synchronised with the travel of the combine harvester to optimise the feed to the cutting equipment and therefore to the lifting channel and threshing system.

You can adjust the inclination of the flexible plastic teeth, which are set along six rows mounted on the same number of bars, which helps avoid packing down the product as you go along. You can also have an extension and two side blades to harvest the rapeseed on the wheat bar, which allows for constant optimal feed. For sunflowers, there are specific dividers and a transport roller that ensures only the seed heads of the plants are taken up for threshing.



THE FEEDING FLOW.

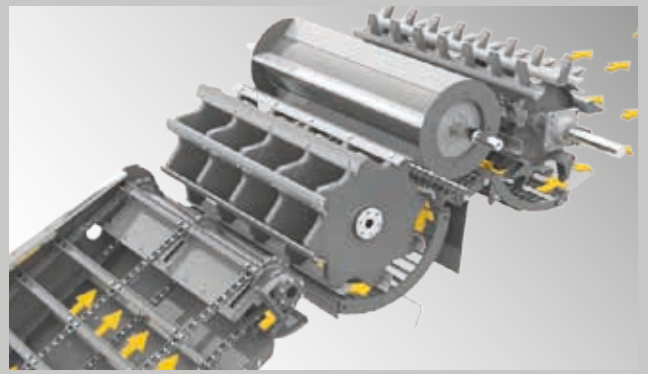


The feeder channel of the C6205 will grant that the cut product will be handle with care and with the right flow to the threshing system. The bars, taking the whole width of the channel, are mounted on 3 reinforced chains. A powerful electric reversing unit eliminates any overload of the feeder housing. The lifter channel can handle even the heaviest of bars, so even maize pickers are easy to use and the power is

always transmitted entirely safely. As a standard feature, the machine is equipped with two lifting cylinders, while a third is for applications with particularly heavy bars. For even more accurate cutting, there is the Auto-control function, which by compensating the lateral movement of the bar makes for even more precise work, especially with the broader cutting widths.



THE DEUTZ-FAHR
TRADE MARK.



The DEUTZ-FAHR threshing system with turboseparator.



Concave available with different spacing or with the unique segments system.



Concave adjustment independently in the front and rear.

OPTIMUM DRESHER

DEUTZ-FAHR means no compromises. The C6205's threshing system maintains the same characteristics of its big sisters to guarantee top performance for every type of product, always aiming for high grain and straw quality. With its 600 mm diameter, the threshing drum is comprised of eight robust bars bolted to five supports to guarantee easy maintenance and replacement. The rotation speed goes from 420 to 1250 rotations per minute with high performance index; in addition, putting a reduction unit on the threshing drum's shaft allows you to lower the rotations per minute by about 50% with just a few simple operations.

CONCAVE

The C6205's concave has a broad 121° winding angle, completely taking advantage of the surface of separation. The monolithic version is available with an entire 3 different wire spacings, 14, 11 and 16, each for a different product. What is really special about the DEUTZ-FAHR threshing system is the segmented concave with transversal sections (as an optional), which besides allowing rapid transformation of the combine harvester during the harvesting season, also lets you personalise threshing/separation. In fact, thanks to this solution, the user can

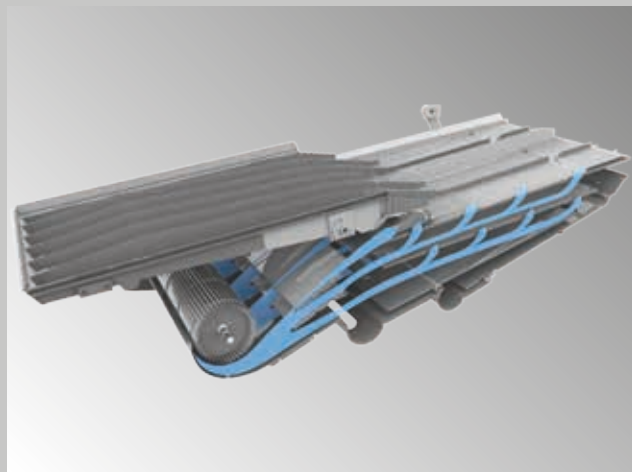
choose the most suitable spacing between the wires of the different segments according to the harvesting conditions. The operator can therefore accentuate the threshing effect at the threshing drum input and separation upon output, thus reducing the load of the straw walkers and decreasing the short straw that ends up on the sieves to a minimum. This solution ensures effective separation at the threshing drum exceeding 90%, a guarantee of high productivity and high quality. For crops that require more delicate treatment, the straw beater synchronised with the speed of the threshing drum is available as an option.

TURBO SEPARATOR

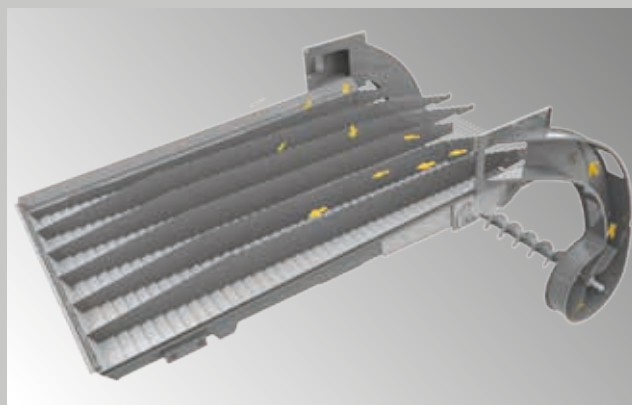
The C6205 TS's threshing system is enhanced by a third cylinder installed beyond the straw beater right before the straw walker: the turbo separator. This device increases the combine harvester's working capacity by about 20% so that the machine can be used at maximum performance level even with particularly abundant harvest, with product in hard conditions like green straw or full of infesting species. The turbo separator is 590 mm in diameter, 10 toothed feeder bars; the cylinder can be adjusted in five different positions to allow for more or less aggressive work on the product or even exclusion of the turbo separator should it be necessary.



**“CROSS-FLOW” SYSTEM
AND DOUBLE VENTILATED
STEP: TOP TECHNOLOGY
IN A COMPACT BODY.**



The Cross-Flow Turbine ventilation system.



The exclusive Double return system.

CROSS-FLOW

Power and delicacy distinguish the C6205. Thanks to the DEUTZ-FAHR combine harvester factory-branded cleaning system, you get the maximum yield and product quality guaranteed. The harvest goes from the straw walker to the grain preparation pan, which, going in the opposite direction, distributes the product in a uniform manner. Before reaching the upper sieve, it gets to a presieve which creates a double jump essential to slowing down the product and start cleaning before the actual cleaning process. The C6205 has two overlapping sieves for a total surface of an entire 5.28 m². Many are the combinations of types of sieves with different holes with a set or adjustable diameter for maximum versatility and customisation based on the type of crop and working conditions. The effectiveness of cleaning doesn't come just from the double jump and the sieves; a large contribution comes from the ventilation system with "cross flow" turbine. Despite its compact size, the C6205 in fact has a turbine fan as a standard feature, which thanks to its large diameter (400 mm) and a 44 blades along the entire length of the rotor, manages to blow air on the whole width of the combine harvester, thus not leaving any dead zones where the product isn't cleaned.

STRAW WALKER

The long closed straw walkers allow precise separation in any circumstances, both with damp product and with particularly infested

crops. Their structure, the specially designed inclination and the motion that comes from experience in the field make separation accurate with only the straw being pushed toward the back of the combine harvester. With particularly abundant crops, crests can be mounted so as to accentuate the airing out of the product. Mounting the straw walker on bearings allows silent operation and reduces power absorption to a minimum.

DGR

Another distinctive feature of the DEUTZ-FAHR combine is the double return system, which constitutes a real genius idea that improves the combine harvester's performance, effectiveness of the threshing system and reduces losses. Indeed, this uncleaned product recovery system takes the material from below the sieves and sends it back to the grain preparation pan through two lifting channels located on the sides of the machine. In these lifting channels there are two beaters that substantially shell the uncleaned product in the time it takes to be picked from the bottom of the sieve tank and be dumped onto the grain preparation pan. Based on the product being treated, we can choose from two types of friction plates for beaters, or if necessary, deactivate the recovery. Not just extremely productive but also technologically advanced, the DGR system is equipped with special sensors that monitor the activity and intervene to guarantee complete job safety and prevent breaking or unexpected events.



**LARGE VOLUMES,
RAPID EMPTYING.**



Big 7000 L grain tank.



Unloading tube to discharge the grain while working in any position to tall trailer.



Double grain tank inspection window.



The easy sample picking outlet.

THE GRAIN TANK

Your harvest will be kept in a capacious 7000 L grain tank, letting you work without being interrupted. The discharge tube with high connection fitting makes every emptying rapid (75 L/sec), simplifying nearing trailers with high beds, even with 6 m cutting table. Rapid control of the product harvested is possible thanks to the new sample withdrawal system, within the driver's reach just outside the control cab.

WHETHER LONG OR CHOPPED, STRAW TREATMENT IS TOP

The DEUTZ-FAHR high cutting density straw chopper ensures that the plot processed is left ready for subsequent farming activities. The wide

working area of this accessory spreads the chopped material over the entire area, even when working with very wide cutter bars. Input is really easy with the lever on the combine harvester side, so you don't have to use any tools. Easy access to the blades and for adjusting the counter-blades minimises maintenance and setting up times.

The power the engine feeds and the low absorption of the transmission allow for constant performance even with the straw chopper on and with abundant straw volumes to handle. The DEUTZ-FAHR threshing system even meets the needs of those who want long straw for breeding. In fact, it is typical of our combine harvesters to respect not just grain, but also straw, which in many conditions is an important complementary product in the production of cereals.



COMMANDER CAB EVO II.



The Commander Cab EVO II embodies high comfort and technology standards in order to make work less fatiguing and above all guarantee absolute operator safety. The electrically activated commands of the threshing functions are at your fingertips on the dashboard to the driver's right.

The control of the transmission and activation of the main functions (bar, pick-up reel, grain tank emptying, emergency stop) are integrated in the latest-generation commander stick, making operations extremely simple and intuitive.



THE EVOLUTION
OF THE SPECIES IN COMFORT
AND FUNCTIONALITY.



The Commander Cab EVO II with second seat.

The soundproof environment is also equipped with an air-conditioning system commissioned to yield maximum performance even at high temperatures. The cab filters keep the passenger compartment free from dust to offer maximum comfort. The underhood houses the air conditioning controls, the air vents, and a sun blind with automatic locking system. Access to the air conditioning system for maintenance is made through unlockable hooks without using equipment and extremely easily.

For the long threshing sessions, there is also a portable refrigerator (optional) located under the second seat in the cab so as not to take up space, making time spent on the job even more pleasant.

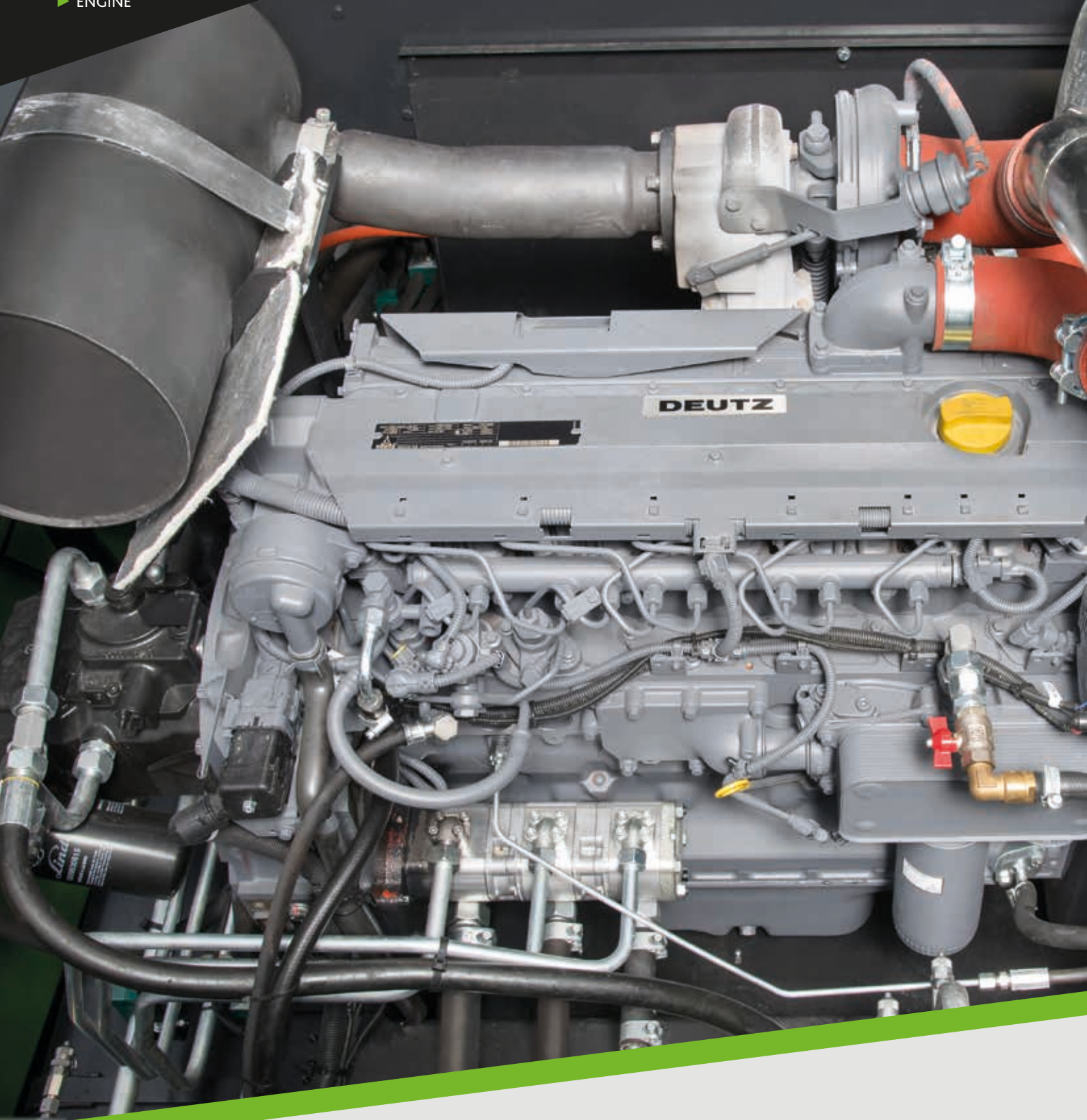
CCM is the best tool the operator has for verifying the quality of his or her work at any time, in the blink of an eye you can see: ground speed, level of losses, total and partial surface worked, beater speed, ventilation speed, engine and thresher section operating hours. In addition, a series of indicator lamps and alarms let the driver immediately perceive any malfunction of the combine harvester. Located on a support directly connected to the instrument cluster, it was positioned to be easily consulted without getting in the way of viewing the cutting table.

WORK LIGHTS

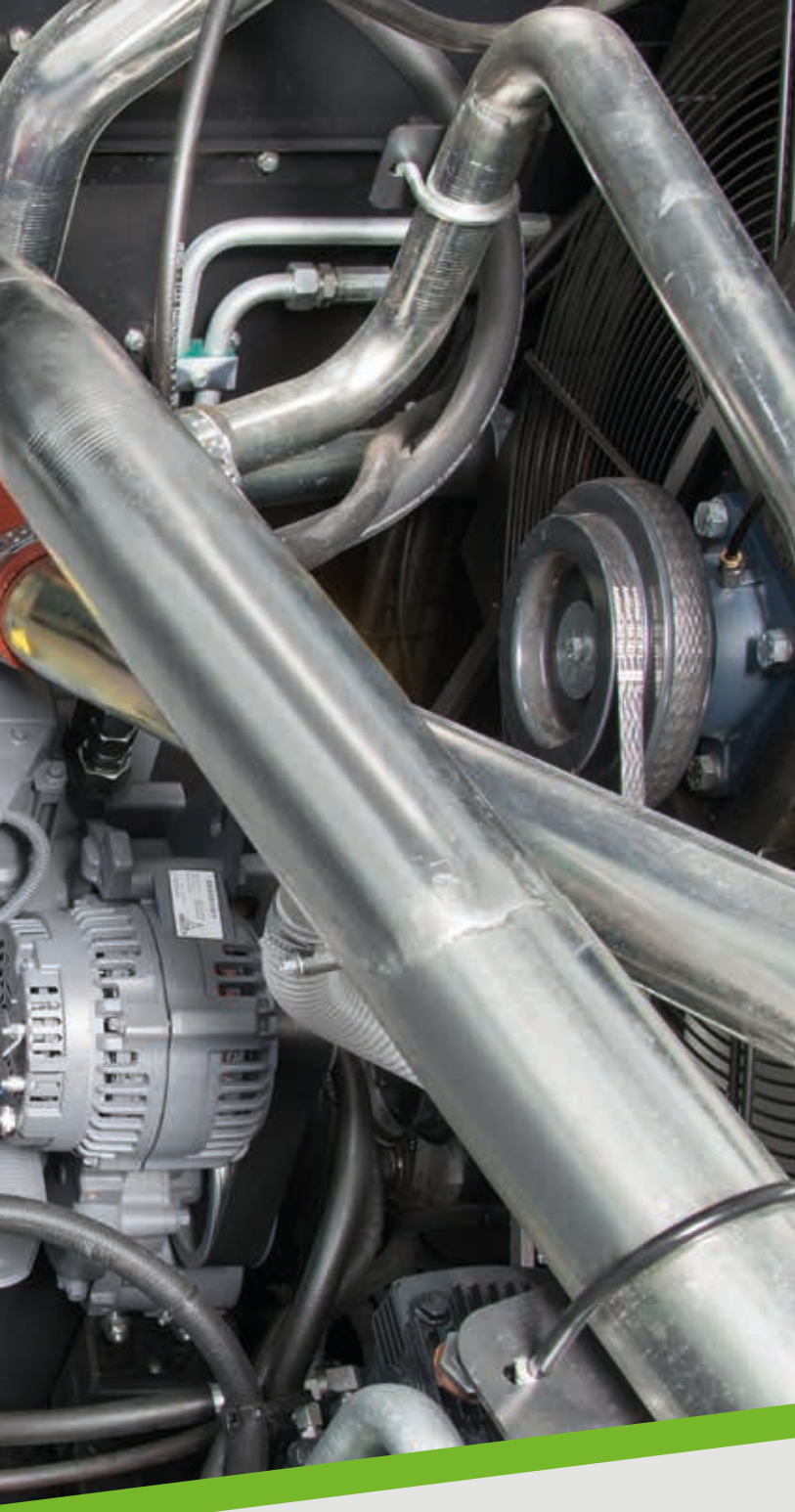
A powerful series of a whole 8 lights located on the cab lights work under all conditions. The lamps equipped provide a very bright beam of light, without unwanted reverberations. To complete the set, there are also two headlamps on the of the straw walker and an illumination light on the unloading auger.



The innovative ventilation system with high efficiency air conditioning and self-locking sun-shield.



GENTLE POWER.



High performance self cleaning air filter to work in any condition.



Big rotary screen to ensure maximum efficiency of the cooling system.

PRODUCTIVITY AND SAVINGS

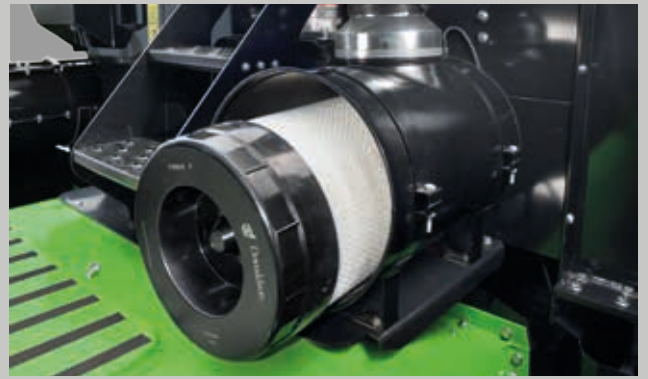
The Deutz TCD L6 Tier3 6.1-L engines, cooled with liquid, distinguish themselves for their high power and constant performance. With Common Rail injection, 12 valves and an electronic governor system, these engines deliver exactly the right amount of power for the occasion and can respond to load peaks without losing productivity. 211 HP (155 kW) combined with a high-efficiency threshing system, allows for the reduction of the fuel requirement per ton of product threshed to the lowest level on the market.

A TWICE AS EFFICIENT TRANSMISSION SYSTEM

All the DEUTZ-FAHR combine harvesters have a compact transmission system, with engine power takeoff on both sides. It distinguishes itself for easy and rapid maintenance, as well as outstanding power feed to the individual units. The valve can be easily and rapidly replaced, thus avoiding useless waste of time so that you can harvest. The combine harvester is smaller, which is all the better for manoeuvrability.



EASY MAINTENANCE.



Tool-free access to filter cartridge.



The electric fuses panel.



Easy access to the upper part of the combine as well as to refill Diesel.

With the intelligent structural design of the C6205, scheduled and unscheduled maintenance has never been simpler. The fuse box is situated in the cabin, making fuses quicker and safer to replace. The unique hinged design of the control console allows easy access to all the electronic connections of the controls for all maintenance jobs. Without leaving the cabin, the operator can simply unlock the front panel of the headliner and lower it gently on its pivots to access the air conditioning system. The air filters are accessible without tools

from the platforms on either side of the cab. Generously sized gull-wing hatches allow easy access to parts beneath the bodywork, while a ladder lets the operator climb onto the top of the combine harvester and work, if necessary, on the engine, cooling system and grain tank, and to climb down onto the straw walker through a specific hatch. An easy to use machine with generous performance and intelligent, innovative design. In a word: C6205.



MADE IN DEUTZ-FAHR.



Precise and advanced laser cutting.



All components treated with cathoresis and automotive painting process.



ISO 9001-2008 certification.

Your harvest, your technology, your success and your manufacturer. DEUTZ-FAHR is synonymous with precision and attention to detail. More than 60% of the parts used to build the C6205 are manufactured within our own factory using technological production processes and quality control systems conceived for superlative results. Every metal component is formed with precise laser cutting processes and tried and tested bending machinery, and then welded by qualified, certified personnel with the utmost competence. The entire cathoresis treatment and spray painting process complies with the most exacting automotive standards to ensure durable finish quality and

protection. As well as structural and bodywork elements, transmission systems and final drive units are also assembled in-house. The combine harvester assembly process consists of 14 strictly ordered stages, and involves complex procedures to complete the different models with specific sub-assemblies, built and installed in dedicated assembly lines of their own within the main production line. Continuous inspections and tests conducted before any machine leaves the factory, combined with painstaking attention to detail, ensure total satisfaction for the DEUTZ-FAHR customer, as demonstrated by ISO 9001-2008 certification.

TECHNICAL DATA

COMBINE C6000

C6205

C6205 TS

CEREAL HEADER

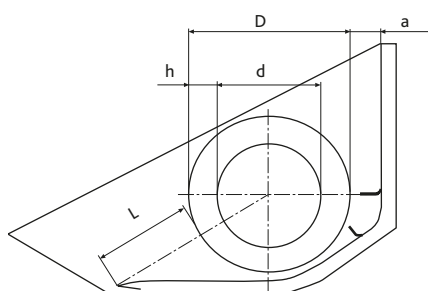
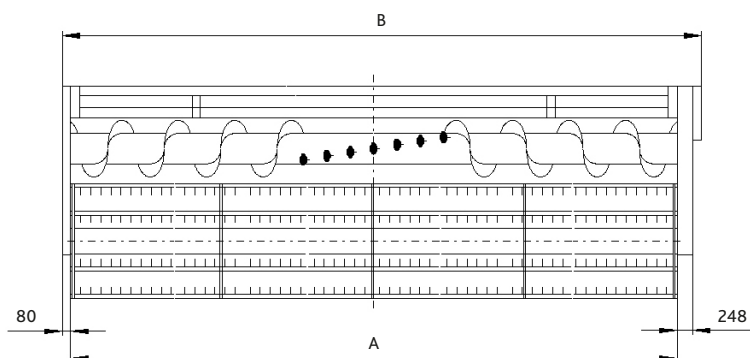
Width option		4.20 - 4.80 - 5.40 - 6.30	4.20 - 4.80 - 5.40 - 6.30
Hydraulic cutting height adjustment	mm	-300 / +1370	-300 / +1370
Oil-immersed planetary knife drive gearbox (1220 cuts/min.)		●	●
Long right and left crop dividers, fixed		●	●
No. Of crop lifters (min/max depending on cutting width)		13 / 23	13 / 23
AutoControl (with lateral floating)		○	○
Trailer tow hitch		●	●
Header transport trolley		○	○
Hydraulic multicoupler		○	○
Automatic towing hitch		○	○
Rapeseed header conversion kit with hydraulic controlled side cutter on right		○	○
Side cutter for rapeseed on left with separate hydraulic control (only with rapeseed header)		○	○
Sunflower header conversion kit		○	○

PICK-UP REEL FOR CEREAL HEADERS

6-bar reel with hydraulic height adjustment		●	●
Hydraulic horizontal adjustment		●	●
Electrical speed control (min / max infinitely variable)	rpm	16 / 45	16 / 45
Automatic adjustment of reel rpm to travel speed		●	●

VARICROP HEADER

Width option		5.00 - 5.50 - 6.50	5.00 - 5.50 - 6.50
Hydraulic cutting height adjustment	mm	-300 / +1370	-300 / +1370
Long right and left crop dividers, fixed		●	●
Crop lifters (N° depending on cutting width)		○	○
AutoControl (with lateral floating)		●	●
700 mm stepless hydraulically movable cutterbar with stainless steel cover		●	●
Hydraulic angle adjustment		○	○
Integrated foldable side knives		●	●
Integrated hydraulic reel drive inside the reel tube		●	●
Sunflower header conversion kit		○	○



CEREAL HEADERS

Type	A (mm)	B (mm)	Weight (Kg)
4.20 m	4187	4515	1170
4.80 m	4796	5124	1280
5.40 m	5406	5734	1540
6.30 m	6320	6648	1760

VARIOCROP HEADERS

Type	A (mm)	B (mm)	Weight (Kg)
5.00 m	5050	5680	2190
5.50 m	5510	6140	2280
6.50 m	6500	7130	2500

CEREAL HEADERS

L (mm)	D (mm)	d (mm)	h (mm)	a (mm)
480	610	350	130	50

VARIOCROP HEADERS

L (mm)	D (mm)	d (mm)	h (mm)	a (mm)
510-1560	610	410	100	50

TECHNICAL DATA**COMBINE C6000****C6205****C6205 TS****TRESHING DRUM**

Diameter	mm	600	600
Width	mm	1270	1270
Bars	n°	8	8
Electrical variator	rpm	420 / 1250	420 / 1250
Threshing drum speed reducer (optional)	rpm	210 / 625	210 / 625

CONCAVE

Bars	n°	15	15
Wrap angle	degrees	121	121
Separation surfaces	m ²	0.95	0.95
Multi-segment concave		○	○
Laterally operated de-awner plates		●	●
Manual adjustment of concave inlet/outlet		●	●
Conversion for maize harvesting, grain or CCMU		○	○

TURBO SEPARATOR

Diameter	mm	-	590
Rate	rpm	-	775 / 410
Mechanic adjustment through 5 positions		-	●
Separation surfaces	m ²	-	0.81

STRAW WALKER

Elements	n°	5	5
Steps	n°	5	4
Straw walkers closed		●	●
Ball bearing mounts		●	●
Shaking surface area	m ²	5.28	4.60
Total separation surface	m ²	6.23	6.36

STRAW CHOPPER - CHAFF SPREADER

Built-in straw chopper with manually adjustable spread width		○	○
Chaff spreader with conveyor integrated in the sieves		○	○

● STD ○ OPT

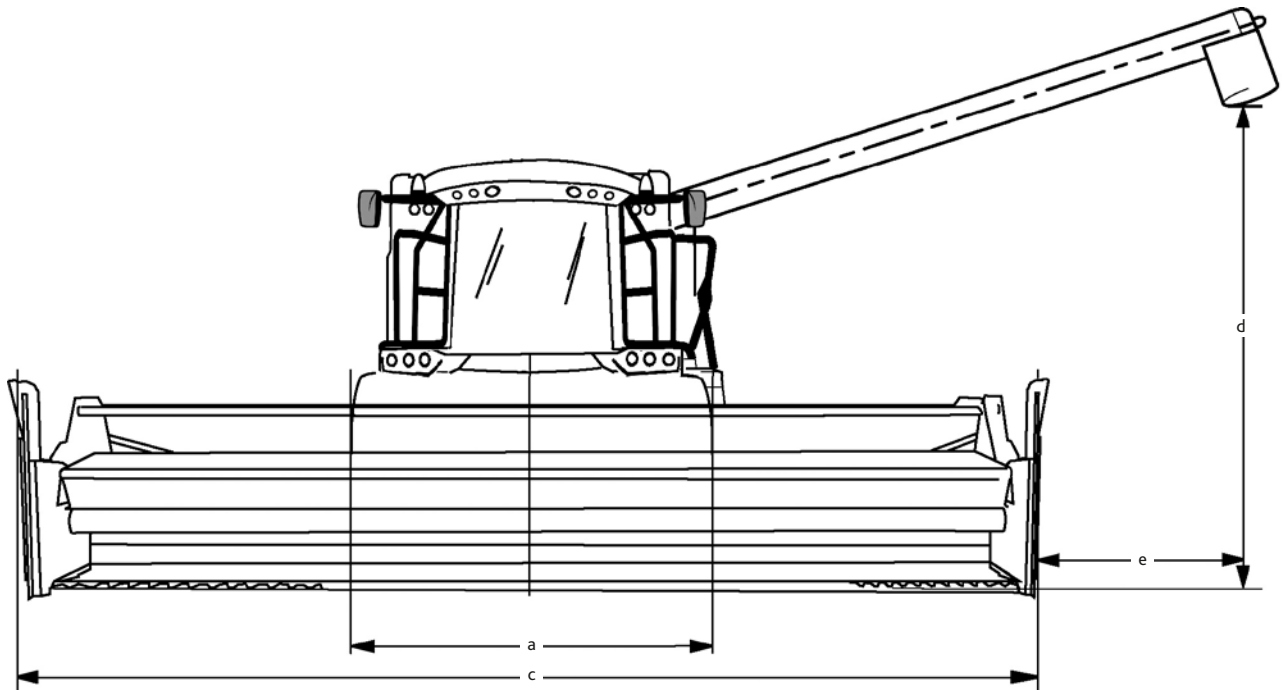
- Not available

TECHNICAL DATA	COMBINE C6000		
		C6205	C6205 TS
CLEANING SYSTEM			
High performance crossflow fan		●	●
Pre-sieve		●	●
Sieve box illumination		●	●
Opposed action sieves		●	●
Total ventilated sieve area	m ²	5.28	5.28
TAILING RETURN SYSTEM			
Electronic control of returns level and overload		○/●	○/●
Independent L/R returns with re-threshing system		●	●
GRAIN TANK			
Lifting / Capacity	litres	7000	7000
Discharge in any position		●	●
Visual and audible grain tank level indicator		●	●
Interior light / Grain sampling from driving position		●	●
Discharge speed	l/sec.	75	75
ENGINE			
Deutz Tier3 2 valve Common Rail engine (2012)		TDC L6 6.1-L	TDC L6 6.1-L
Homologated power (97/68/EC) at rated engine speed		152/208	152/208
Maximum power (ECE R 120)		155/211	155/211
Fuel tank	litres	450	450
TRANSMISSION / BRAKES / STEERING			
Hydrostatic transmission with 3-speed gearbox (105 cc)		●	●
Forward speed / Reverse speed	Km/h	0 - 26.0 / 0-14.0	0 - 26.0 / 0-14.0
Pedal operated hydraulic brake, usable as independent brake, mechanical parking brake		●	●

TECHNICAL DATA	COMBINE C6000	
	C6205	C6205 TS
Tyres		
Front 620 / 75 R30 168 A8	○	○
Rear 320 / 80 R18	○	○
Front 650 / 75 R32 167 A8	●	●
Rear 405 / 70 R20 155 A2	●	●
Front 800 / 65 R32 STR 172 A8	○	○
CAB		
Commander Cab EVO II with tinted, thermally insulated glass providing panoramic visibility, comfort driving seat with armrest, passenger seat	●	●
CommanderStick with multiple control functions	●	●
CCM (Combine Control Management)	●	●
6 work lights on cab, 1 work light on grain tank, 2 rear work lights	○	○
Electric mirrors, left and right	○	○
Workvisibility pack: work lights on sides, under-cab and on handrail	○	○
Camera visibility pack: camera on combine rear or on combine rear	○	○
Heater and air conditioning	●	●
2 xenon work lights	○	○
SAFETY DEVICES		
Safety clutch for feed passage top shaft, feed auger, reel, straw walker drive and grain auger	●	●
Electronic speed control for straw walker, grain elevator and tailings return	●	●
Cutter bar emergency stop	●	●
MAINTENANCE		
Manual centralised lubrication system, greasing points: 8 on left, 6 on right	●	●

● STD ○ OPT
- Not available

TECHNICAL DATA			COMBINE C6000	
			C6205	C6205 TS
DIMENSIONS				
a Track width*	front	mm	2670	2670
	rear	mm	2355	2355
b Width* without cutter bar		mm	3000	3000
c Width with cutter bar	with 4.20 m cutter bar	mm	4515	4515
	with 4.80 m cutter bar	mm	5124	5124
	with 5.00 m cutter bar	mm	5344	5344
	with 5.40 m cutter bar	mm	5734	5734
	with 5.50 m cutter bar	mm	5834	5834
	with 6.30 m cutter bar	mm	6648	6648
	with 6.50 m cutter bar	mm	6848	6848
d Height to lower edge of grain tank discharge pipe with standard tyres			3450	3450
e Distance between side wall of cutter bar and grain discharge pipe	with 4.20 m cutter bar	mm	1645	1645
	with 4.80 m cutter bar	mm	1340	1340
	with 5.00 m cutter bar	mm	1330	1330
	with 5.40 m cutter bar	mm	1040	1040
	with 5.50 m cutter bar	mm	1035	1035
	with 6.30 m cutter bar	mm	600	600
	with 6.50 m cutter bar	mm	590	590



TECHNICAL DATA

COMBINE C6000

C6205

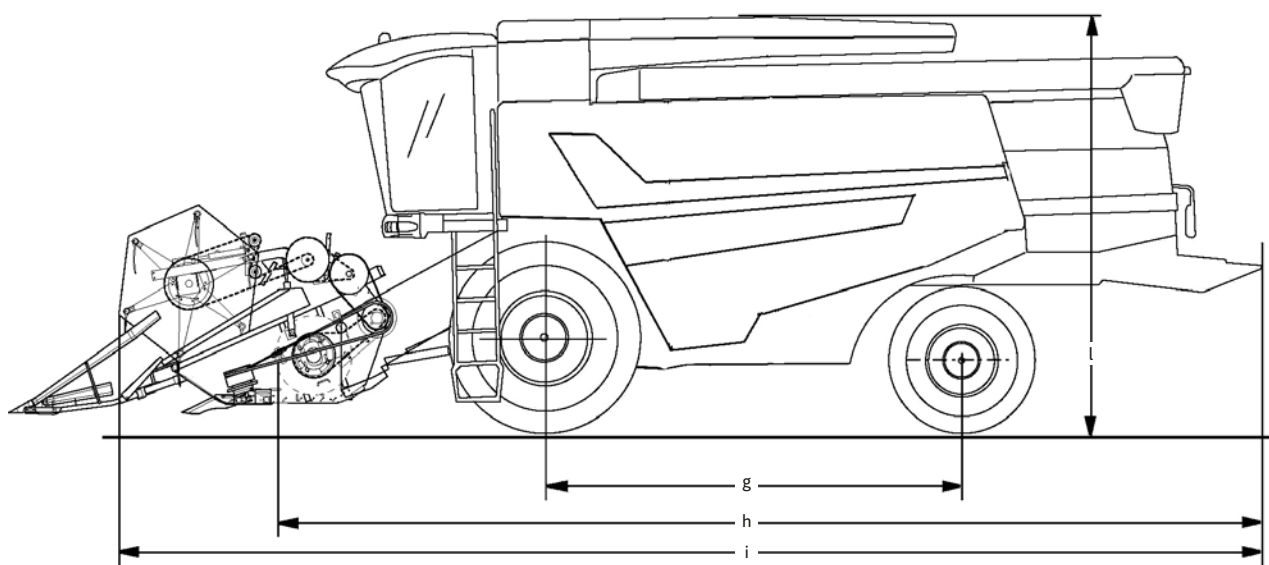
C6205 TS

DIMENSIONS

g Wheelbase	mm	3892	3892
h Length without cutter bar	mm	8770	8770
i Length with cutter bar- crop dividers folded	mm	10620	10620
l Grain tank height	mm	3935	3935

WEIGHTS

without header	Kg	12400	12400
weight of 4.20 m header	Kg	13600	13600
weight of 4.80 m header	Kg	13920	13920
weight of 5.00 m header	Kg	14750	14750
weight of 5.40 m header	Kg	14040	14040
weight of 5.50 m header	Kg	14850	14850
weight of 6.30 m header	Kg	14280	14280
weight of 6.50 m header	Kg	15090	15090



● STD ○ OPT


- Not available

* Optional or standard depending on version

Dealer

Produced by Marketing/Communication Department - Code 308.8504.3.4 - 09/16 - I.P.

To discover more please contact your dealer
or visit deutz-fahr.com.

DEUTZ-FAHR is a brand of  SDF

